

Disegno

STELO ASSEMBLATO

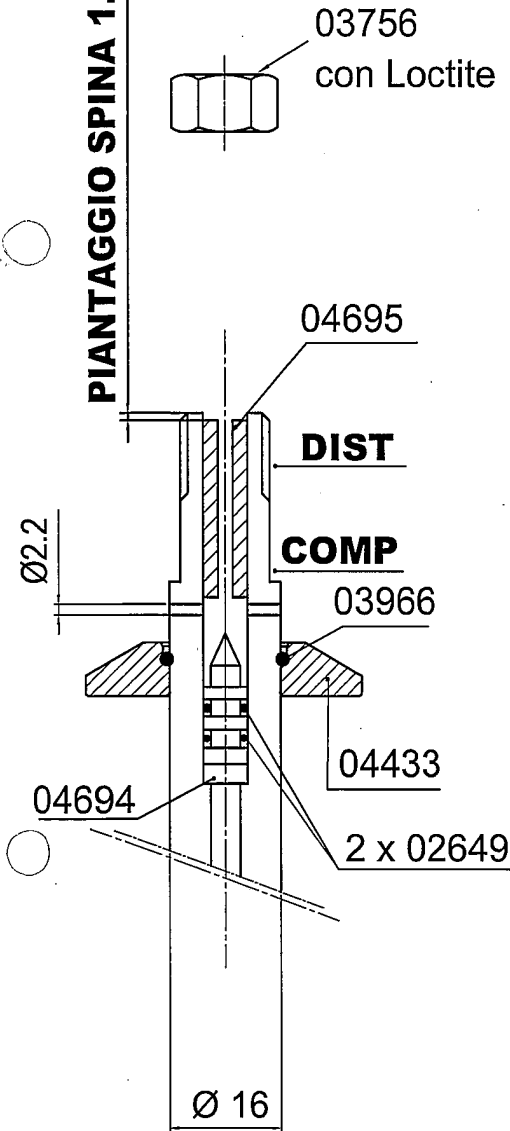
Ammortiz.

T.M. 125 CROSS 2T

Cod.Amm.

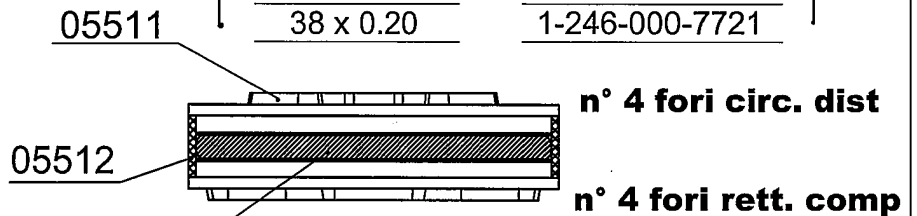
315646210

PIANTAGGIO SPINA 1.5 mm



24 x 2	000PA004117
22 x 0.30	1-246-000-5721
25 x 0.25	1-246-000-5736
26 x 0.30	1-246-000-6443
28 x 0.30	1-246-000-4284
30 x 0.30	1-246-000-4812
32 x 0.30	1-246-000-4612
34 x 0.30	1-246-000-2851
36 x 0.30	1-246-000-7713
28 x 0.15	1-246-000-4281
38 x 0.20	1-246-000-7721
38 x 0.20	1-246-000-7721
38 x 0.20	1-246-000-7721
38 x 0.20	1-246-000-7721

D I S T E N S I O N E



44 x 0.15	000PA004616
44 x 0.15	000PA004616
44 x 0.15	000PA004616
44 x 0.15	000PA004616
44 x 0.20	000PA004617
44 x 0.20	000PA004617
44 x 0.20	000PA004617
44 x 0.20	000PA004617
44 x 0.20	000PA004617
44 x 0.20	000PA004617
44 x 0.20	000PA004617
34 x 0.15	1-246-000-2855
30 x 0.15	1-246-000-5750
42 x 0.20	000PA004727
40 x 0.20	000PA004649
38 x 0.20	1-246-000-7721
36 x 0.25	1-246-000-7712
34 x 0.25	1-246-000-2856
32 x 0.25	1-246-000-4611
30 x 0.25	1-246-000-4811
28 x 0.30	1-246-000-4284
26 x 0.30	1-246-000-6443
25 x 0.30	1-246-000-5731
24 x 0.30	1-246-000-5712
33.5 x 2.5	000PA004116

C O M P R E S S I O N E

Particolare

Codice

Stelo Ø16 lunghezza 188+34+18

000STC06066

Eseguito il  
da DID

Controllato il  
da DID

ED. 0 del 07/07/05  
Valido dal 07/07/05