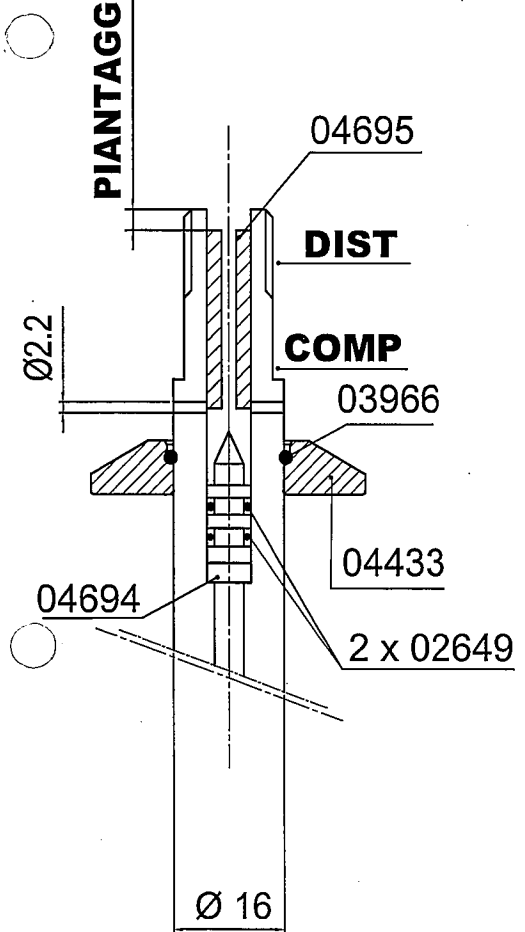
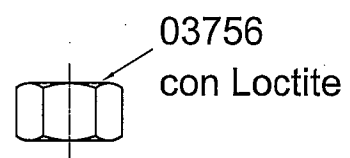


Disegno	STELO ASSEMBLATO
Ammortiz.	T.M. 125 ENDURO 2T
Cod.Amm.	315646205

PIANTAGGIO SPINA 1.5 mm



24 x 2	000PA004117	D I S T E N S I O N E
22 x 0.30	1-246-000-5721	
24 x 0.30	1-246-000-5712	
25 x 0.30	1-246-000-5731	
27 x 0.30	1-246-000-6295	
29 x 0.30	000PA006056	
32 x 0.30	1-246-000-4612	
34 x 0.30	1-246-000-2851	
36 x 0.30	1-246-000-7713	
26 x 0.15	1-246-000-6440	
38 x 0.20	1-246-000-7721	
38 x 0.20	1-246-000-7721	
38 x 0.20	1-246-000-7721	
38 x 0.20	1-246-000-7721	

05511

n° 4 fori circ. dist

n° 4 fori rett. comp

44 x 0.15	000PA004616	C O M P R E S S I O N E
44 x 0.15	000PA004616	
44 x 0.15	000PA004616	
44 x 0.15	000PA004616	
44 x 0.15	000PA004616	
44 x 0.20	000PA004617	
44 x 0.20	000PA004617	
44 x 0.20	000PA004617	
44 x 0.20	000PA004617	
44 x 0.20	000PA004617	
44 x 0.20	000PA004617	
44 x 0.20	000PA004617	
44 x 0.20	000PA004617	
34 x 0.15	1-246-000-2855	
30 x 0.15	1-246-000-5750	
42 x 0.20	000PA004727	
40 x 0.20	000PA004649	
38 x 0.20	1-246-000-7721	
36 x 0.20	1-246-000-7711	
34 x 0.25	1-246-000-2856	
32 x 0.25	1-246-000-4611	
29 x 0.30	000PA006056	
27 x 0.30	1-246-000-6295	
25 x 0.30	1-246-000-5731	
24 x 0.30	1-246-000-5712	
33.5 x 2.5	000PA004116	

Particolare		Codice
Stelo Ø16 lunghezza 188+34+18		000STC06066
Eseguito il da DID	Controllato il da DID	ED.0 del 07/07/05 Valido dal 07/07/05